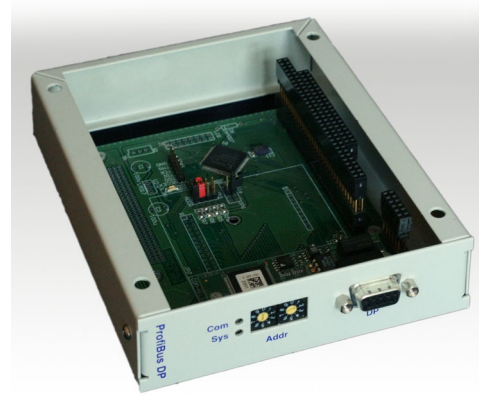


ProfiBus DP



1 FEATURES

- COM-CA-DPS communication module
- Dual-Port-Memory
- Transmission rate - up to 12 Mbps
- PC/104 bus
- RS485 interface, optically isolated

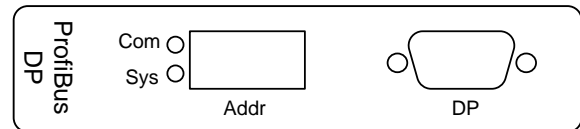


Figure 1: Front panel of ProfiBus DP card

2 TECHNICAL SPECIFICATIONS

Bus interface	PC/104
Bus frequency	up to 16.7 MHz
ProfiBus interface	EN 50 170 DPV1 Extensions Class 1 and 2 Ser- vices
Form factor	AR4C ¹
Power supply voltage	3.3 V or 5 V
Power consumption	up to 1.7 W (3.3 V) up to 2.5 W (5 V)
Operating temperature	5°C to 60°C
Storage temperature	-25°C to 70°C
Dimensions [mm]	151 × 125 × 33
Inputs isolation	≥ 1000 V
Data size	368 Bytes

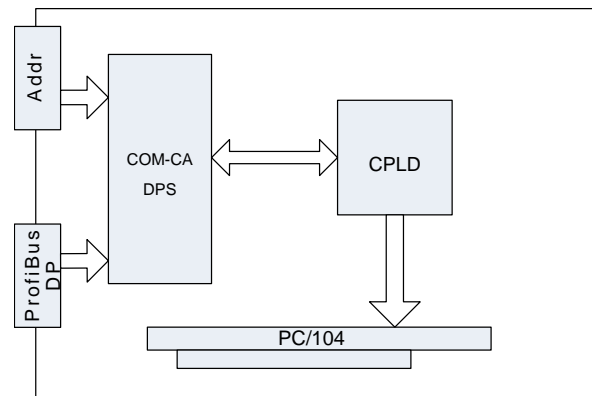


Figure 2: ProfiBus DP card block diagram

3 ORDERING GUIDE

The ProfiBus DP card is available in the following versions:

Model	Interface	Supply voltage
PC104COM-DPS-3V3	ProfiBus DP	3.3 V
PC104COM-DPS-5V	ProfiBus DP	5 V

¹form factor for the PC/104 bus