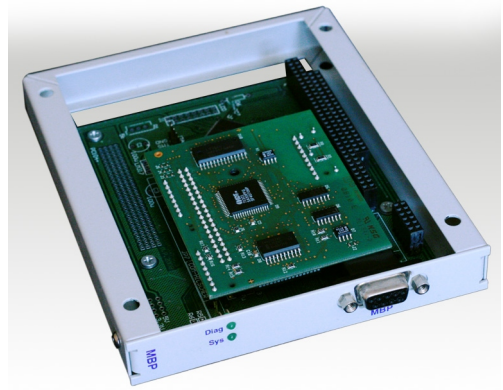


Modbus Plus



1 FEATURES

- Modbus Plus Network Interface Card
- PC/104 bus

2 TECHNICAL SPECIFICATIONS

Bus interface	PC/104
Form factor	AR4C
Bus frequency	up to 16.7 MHz
Power supply voltage	3.3 V and 5 V or 5 V only
Power consumption	up to 1.9 W (3.3 V) up to 2.0 W (5 V only)
Operating temperature	5°C to 55°C
Storage temperature	-25°C to 70°C
Dimensions [mm]	151 × 125 × 33
Physical interface	RS-485
Bitrate	1 Mbps
Protocol	Modbus Plus
Node address	1 to 64
PDU max length	253 bytes
Global data output	32 bytes
Global data input	32 bytes



Figure 1: Front panel of Modbus Plus card.

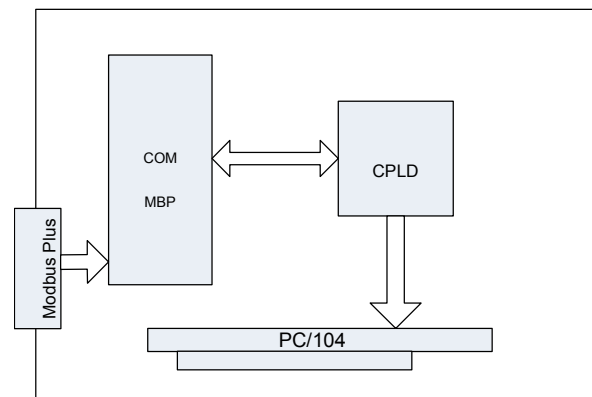


Figure 2: Modbus Plus card block diagram.

3 ORDERING GUIDE

The Modbus Plus card is available in the following versions:

Model	Interface	Supply voltage
PC104COM-MBP-3V3	Modbus Plus	3.3 V and 5 V
PC104COM-MBP-5V	Modbus Plus	5 V