

EtherNet/IP



1 FEATURES

- EtherNet/IP protocol
- UDP and TCP support
- PC/104 bus

2 TECHNICAL SPECIFICATIONS

Bus interface	PC/104
Bus frequency	up to 16.7 MHz
Power supply voltage	3.3 V or 5 V
Power consumption	up to 1.7 W (3.3 V) up to 2.5 W (5 V)
Operating temperature	5°C to 60°C
Storage temperature	-25°C to 70°C
Dimensions (casing) [mm] ¹	151 × 125 × 33
Dimensions (card) [mm]	127 × 100
Inputs isolation	≥ 1000 V
Data size	504 Bytes

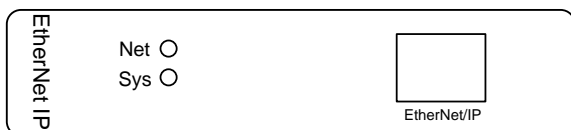


Figure 1: Front panel of EtherNet/IP card

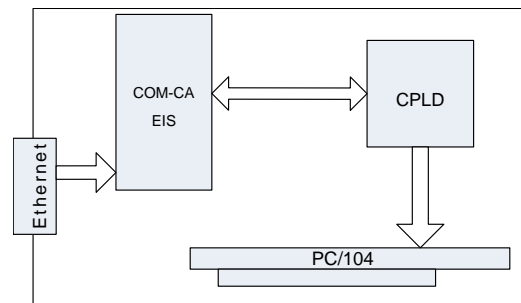


Figure 2: Ethernet/IP card block diagram

3 SUPPORTED PROTOCOLS

Physical layer	100BASE-TX, 10BASE-T
Link layer	IEEE 802.3
Network layer	IPv4
Transport layer	TCP or UDP

4 ORDERING GUIDE

The EtherNet/IP card is available in the following versions:

Model	Interface	Supply voltage
PC104COM-EIS-3V3	EtherNet/IP	3.3 V
PC104COM-EIS-5V	EtherNet/IP	5 V

¹form factor for the PC/104 bus - designed by Microster